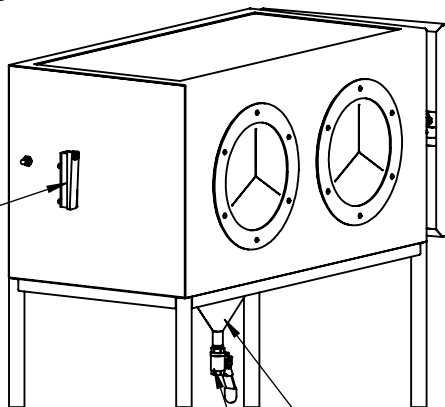


# REY1963-100

# GLOVE BOX w/ STAND

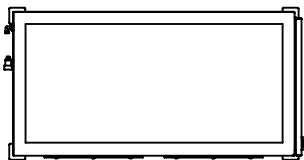
304 STAINLESS STEEL CONSTRUCTION  
EXCEPT WHERE NOTED

ROTAMETER  
1/4" OD TUBING  
INLET



FUNNEL

1/2" BALL VALVE

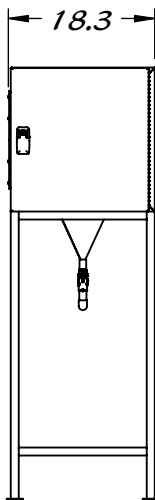
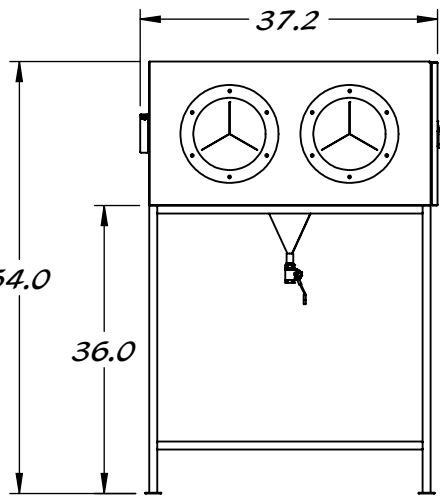


37.2

54.0

36.0

18.3

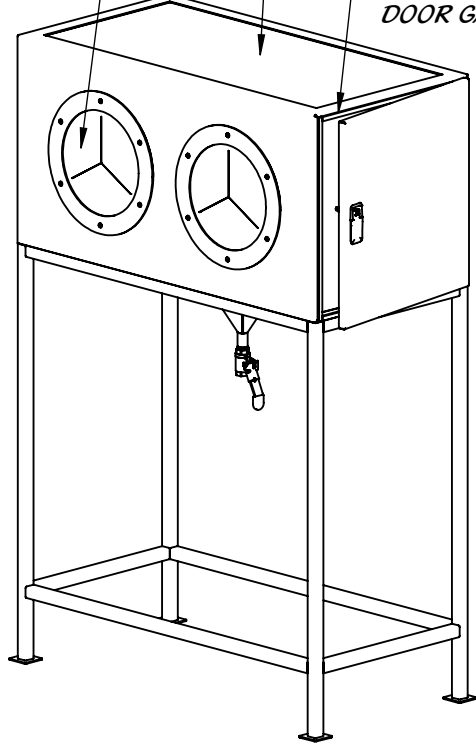


WALL MOUNTING HOLES IN BACK

9" RUBBER  
IRIS PORTS

POLYCARBONATE  
VIEWING WINDOW

SILICONE  
DOOR GASKET



Property of Reytek Corporation.

Use of this information without the prior consent of Reytek Corporation is strictly forbidden.