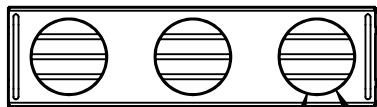


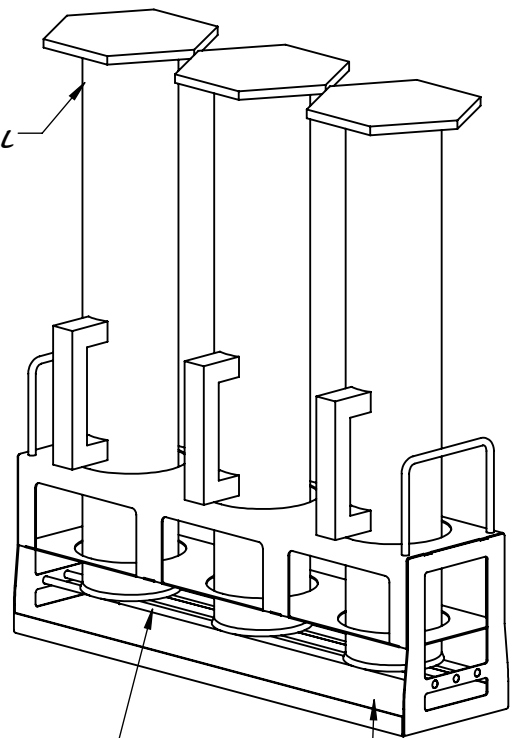
316 STAINLESS STEEL CONSTRUCTION

HOLDS 3 BEAKERS 4" DIA x 24" TALL



$\phi 4.65$   
LOWER  
HOLES

$\phi 4.80$   
UPPER  
HOLES



BEAKERS SIT  
ON RODS

DRIP PAN

