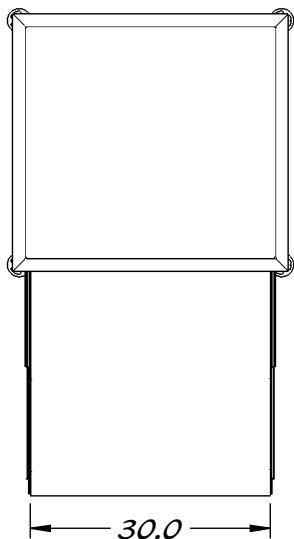


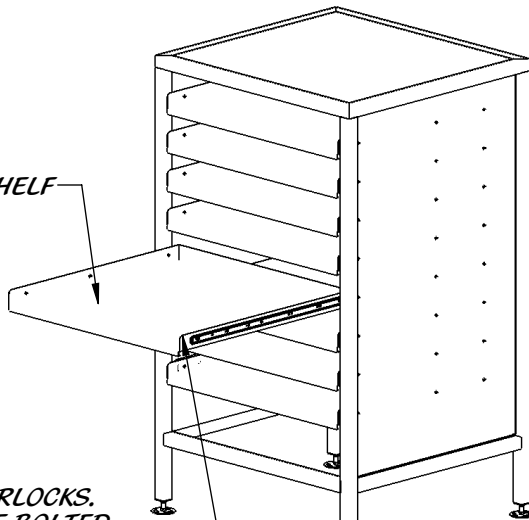
REY1636

STENCIL RACK

STAINLESS STEEL CONSTRUCTION



60 LB LOAD
LIMIT PER SHELF



NO DRAWER INTERLOCKS.
CABINET MUST BE BOLTED
DOWN TO FLOOR OR SECURED TO
THE WALL TO PREVENT POTENTIAL
TIPPING HAZARD

