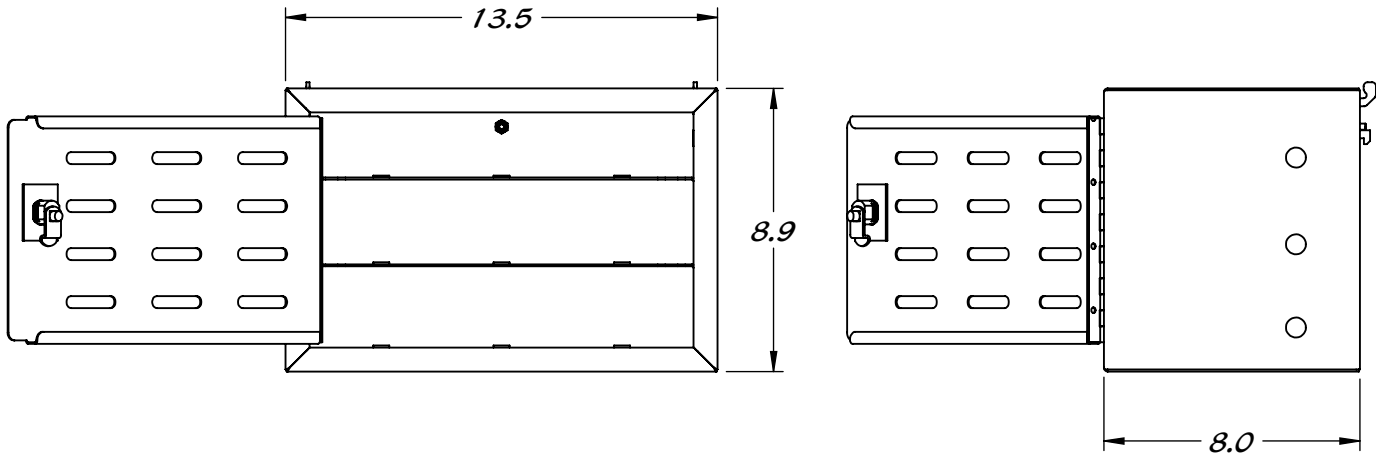
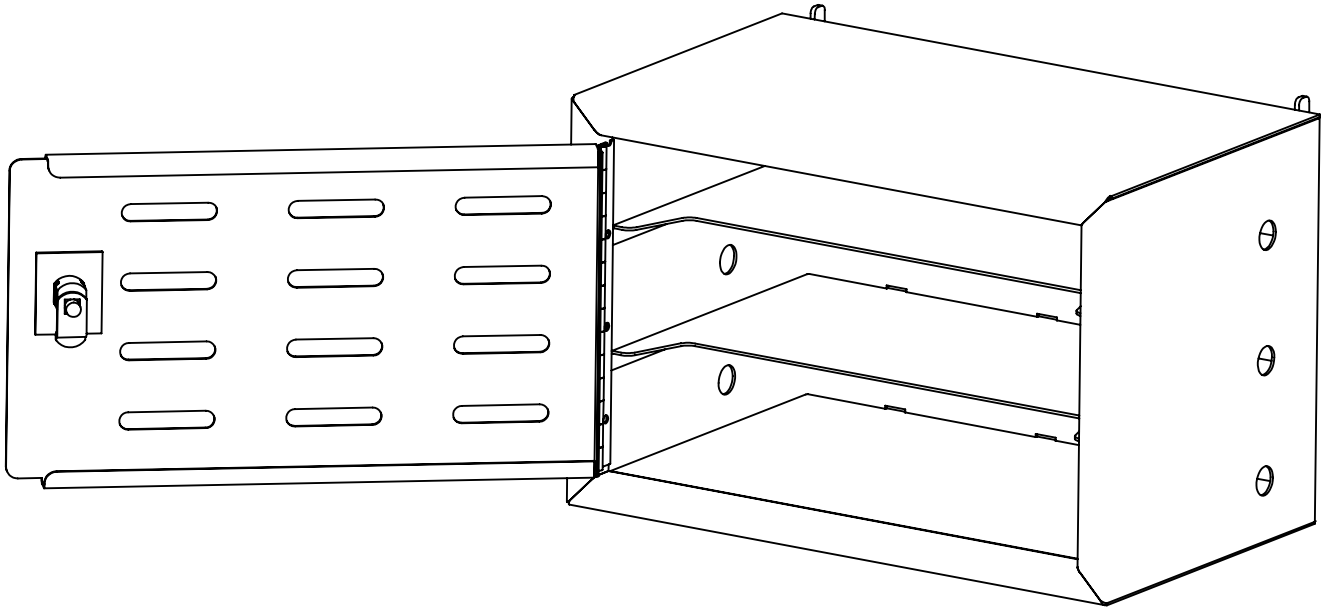


REY1267-LC101

MW Locking Tablet Cabinet

STAINLESS STEEL CONSTRUCTION

Component for Modular Workstation REY1267



Property of Reytek Corporation.
Use of this information without the prior consent of Reytek Corporation is strictly forbidden.