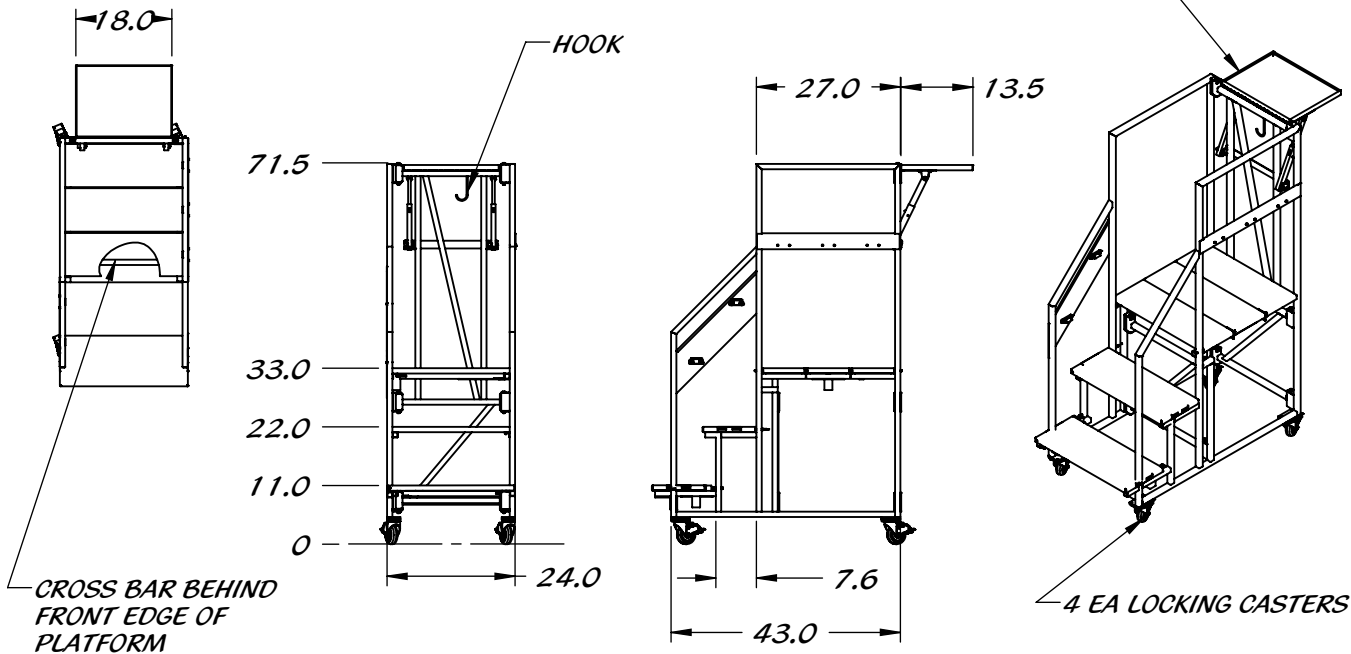


REY1110

FOLDING PLATFORM STEP LADDER

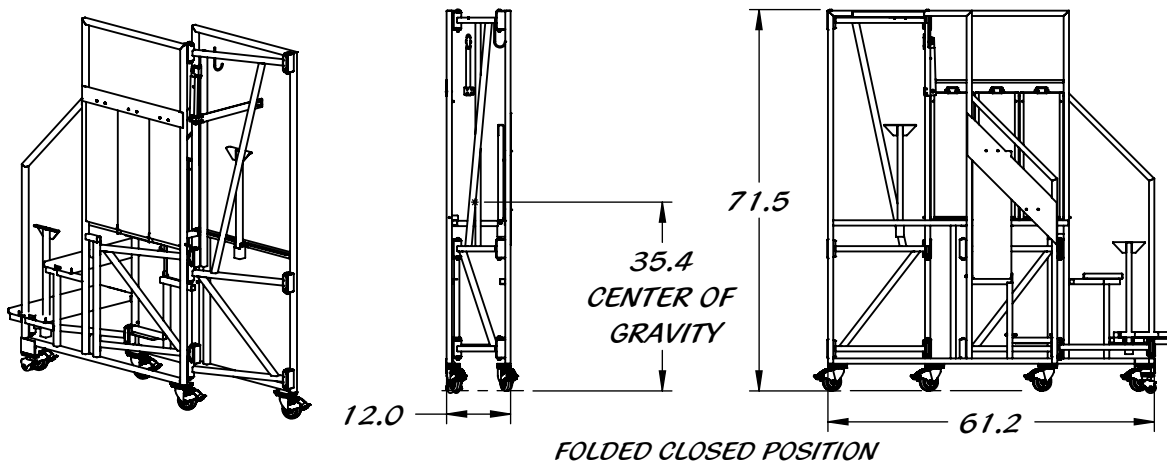
STAINLESS STEEL CONSTRUCTION

FOLD DOWN SHELF
18.0 x 13.5



CROSS BAR BEHIND
FRONT EDGE OF
PLATFORM

4 EA LOCKING CASTERS



FOLDED CLOSED POSITION

Property of Reytek Corporation.
Use of this information without the prior consent of Reytek Corporation is strictly forbidden.