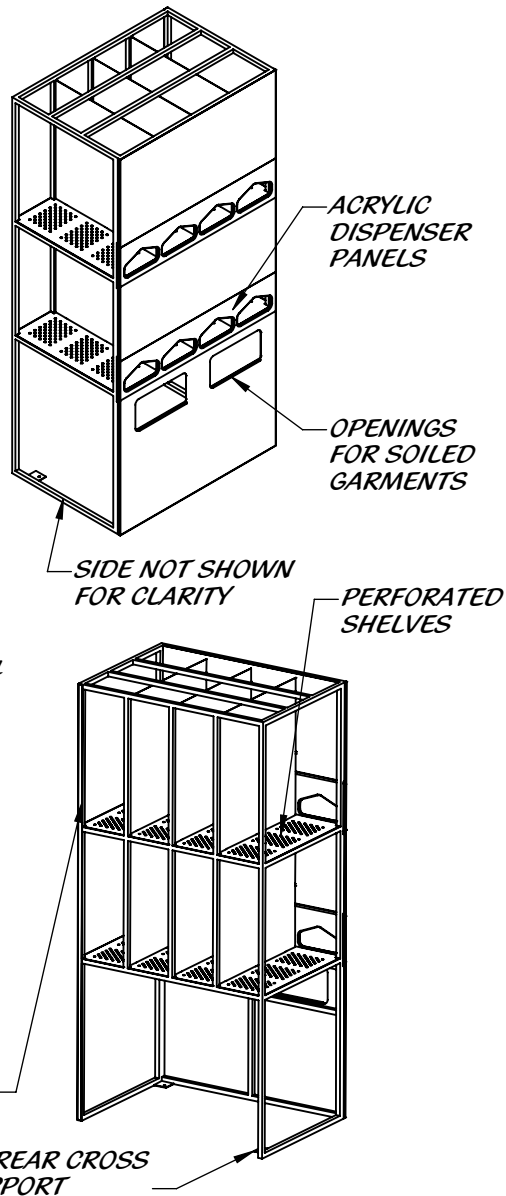
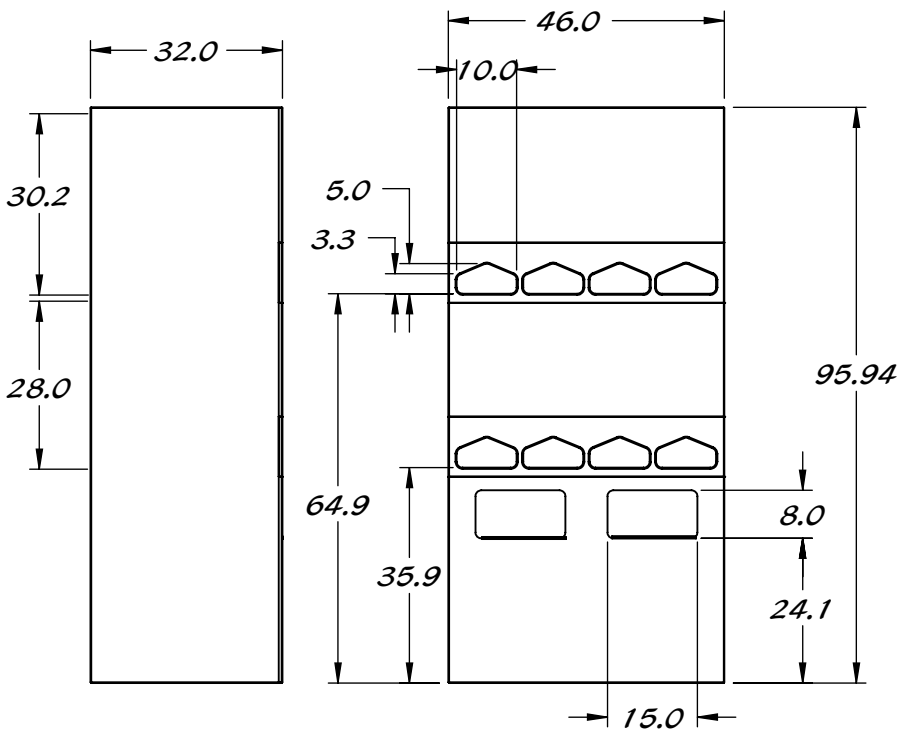


STAINLESS STEEL  
CONSTRUCTION



BACK OPEN  
FOR EASY LOADING