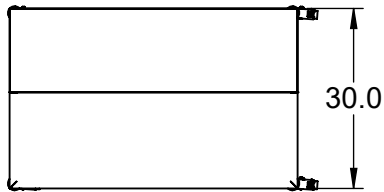


REY2786

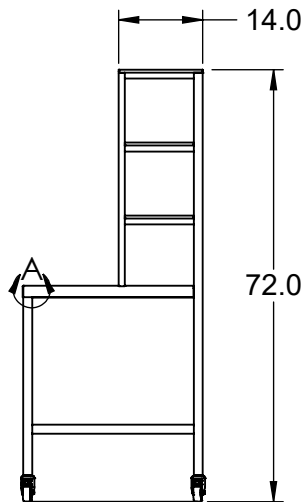
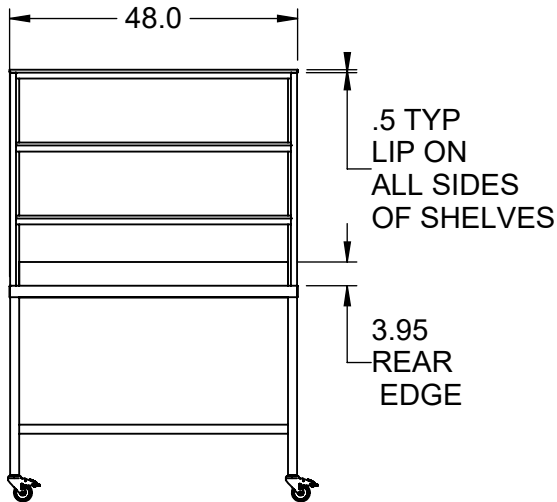
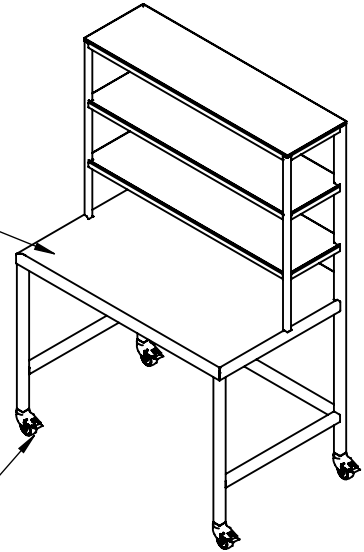
MARINE EDGE TABLE W/ SHELVES

304 STAINLESS STEEL CONSTRUCTION



MARINE EDGE
TABLE TOP TO
PREVENT SPILLS

STAINLESS STEEL
CASTERS WITH
POLYURETHANE THREADS



.375 DEPTH
OF MARINE
EDGE

